

Champro®

air



LONG BED SANDER

MODEL NO: CAT49

PART NO: 3110535

OPERATING & MAINTENANCE INSTRUCTIONS

UK
CA | CE

ORIGINAL INSTRUCTIONS

DL1222 ISS 5

INTRODUCTION

Thank you for purchasing this CLARKE Long Bed Sander. The CAT49 Sander is ideal for use in garages and workshops. The reciprocating (non-orbital) action is ideal for flattening over large areas.

When unpacking the tool, any damage or deficiency should be reported to your CLARKE dealer immediately.

Your sander has been designed to give long and trouble free service. If, however, having followed the instructions in this booklet carefully. Before attempting to use this product, please read this manual thoroughly and follow the instructions carefully. In doing so you will ensure the safety of yourself and that of others around you, and you can look forward to your purchase giving you long and satisfactory service.

GUARANTEE

This product is guaranteed against faulty manufacture for a period of 12 months from the date of purchase. Please keep your receipt which will be required as proof of purchase.

This guarantee is invalid if the product is found to have been abused or tampered with in any way, or not used for the purpose for which it was intended.

Faulty goods should be returned to their place of purchase, no product can be returned to us without prior permission. This guarantee does not effect your statutory rights.

GENERAL SAFETY RULES



CAUTION: FAILURE TO FOLLOW THESE PRECAUTIONS COULD RESULT IN PERSONAL INJURY, AND/OR DAMAGE TO PROPERTY.

WORK ENVIRONMENT

1. Keep the work area clean and tidy.
2. Dress appropriately - Do not wear loose clothing or jewellery. Tie long hair out of the way.
3. Keep children and visitors away - Do not let children handle the tool.
4. Do not operate the sander where there are flammable liquids or gases.

USE OF POWER TOOLS

1. Stay alert and use common sense - do not operate the tool when you are tired or under the influence of alcohol, drugs or medication.
2. Always wear eye protectors when using the sander. Eye protectors must provide protection from flying particles from the front and the side. Ear protectors should also be worn.
3. Do not overreach - Keep proper footing and balance at all times.
4. Never use oxygen, CO², combustible gases or any type of bottled gas as a source of power for this tool.
5. Do not connect the air supply hose with your finger on the trigger.
6. Do not exceed the maximum pressure for the tool of 90 psi / 6.2 bar.
7. Check hoses for leaks or worn condition before use, and ensure that all connections are secure.
8. Keep the air supply hose away from heat, oil and sharp edges.
9. Do not use the tool for any purpose than that described in this manual.
10. Do not fit the tool to any stand or clamping device that may damage it.
11. Do not carry out any alterations or modifications to the tool.
12. Always disconnect from the air supply when:
 - Performing any maintenance
 - The tool is not in use.
 - The tool will be left unattended.

- Moving to another work area.
- Passing the tool to another person.

13. Never use the tool if it is defective or operating abnormally.

14. This tool should be serviced at regular intervals by qualified personnel.

15. Avoid damaging the tool by applying excessive force of any kind.

16. Always maintain the tool with care. Keep it clean for the best and safest performance.

17. Quick change couplings should not be located at the tool. They add weight and could fail due to vibration.

18. DO NOT force or misuse the tool. It will do a better and safer job at the rate for which it was designed.

19. Do not remove any labels. Damaged labels should be replaced.

20. This tool vibrates with use. Vibration may be harmful to your hands or arms. Stop using the tool if discomfort, a tingling feeling or pain occurs. Seek medical advice before resuming use.

SANDER-SPECIFIC SAFETY RULES

1. Avoid contact with the moving sanding pad and wear suitable gloves to protect the hands.
2. Never run the tool unless the abrasive pad is applied to the workpiece.
3. Beware of potentially explosive atmospheres being caused by dust / fumes resulting from sanding and used dust extraction systems where possible.
4. Always wear a face mask when using the sander as protection from airborne particles of sanded material. Avoid disturbing existing dust and minimise the scattering of dust in the workplace environment. Take steps to control the dust at the point of emission.

TRANSPORT & STORAGE

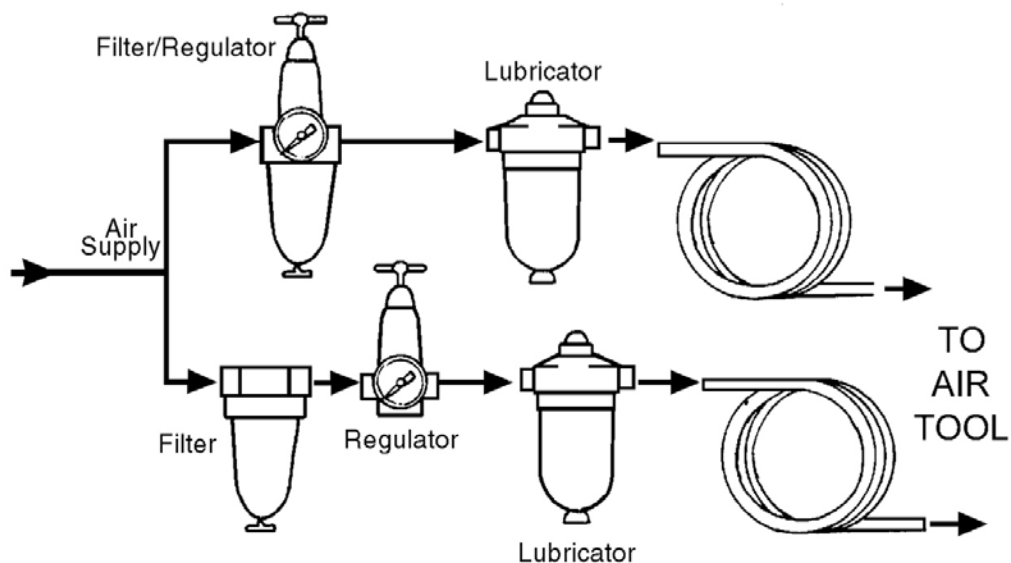
1. Never carry the tool by the air hose.
2. Never carry the tool with your finger on the trigger.
3. When not in use the tool must be disconnected from the air supply and stored in a dry place out of the reach of children (preferably in a locked cabinet).
4. Avoid storing the tool where the temperature is below 0°C.

COMPRESSED AIR REQUIREMENTS



WARNING: COMPRESSED AIR CAN BE DANGEROUS. ENSURE THAT YOU ARE FAMILIAR WITH ALL PRECAUTIONS RELATING TO THE USE OF COMPRESSORS AND COMPRESSED AIR SUPPLY.

- Use only clean, dry, regulated compressed air as a power source.
- Air compressors used with the tool must comply with the appropriate European Community Safety Directives.
- A build-up of moisture or oil in the air compressor will accelerate wear and corrosion in the tool. Ensure any moisture is drained from the compressor daily and the inlet filter is kept clean.
- If an unusually long air hose is required, (over 8 metres), the line pressure or the hose inside diameter may need to be increased.
- The air hose must be rated at least 150% of the maximum operating pressure of the tool.



- A typical air line layout is shown above. If an automatic in-line filter/regulator is used, it will keep the tool in good condition, but should be regularly checked and topped up with oil. Clarke airline oil should be used, and the lubricator adjusted to approx 2 drops per minute.
- For optimum performance it is recommended that a 3/8" ID hose is used.
- Never exceed the maximum operating pressure for the tool. It is recommended that air pressure to this tool does not exceed 90 psi at the tool when running. Higher pressures and dirty air will shorten the life of the tool due to faster wear and is a possible safety hazard.

BEFORE USE

CONNECTING THE AIR SUPPLY



WARNING: COMPRESSED AIR CAN BE DANGEROUS. ENSURE THAT YOU ARE FAMILIAR WITH ALL PRECAUTIONS RELATING TO THE USE OF AIR COMPRESSORS AND COMPRESSED AIR SUPPLY.

1. Pour 2-3 drops of CLARKE airline oil into the air inlet. This should be done regardless of whether or not a lubricated air supply is to be used.
2. Connect a suitable hose to the tool as shown using the airline connector supplied with the tool.
3. If required, connect an in-line mini oiler to the tool.
 - A mini oiler helps to prolong the life of the air tool. Remove the oil fill screw from the side of the mini oiler and fill with air-line oil available from your CLARKE dealer. Replace the screw before using the tool.
4. If a mini-oiler is not being used, run a few drops of oil through the tool before use. It can be entered through the inlet strainer or via the hose at the nearest connection to the air supply.
5. Connect the other end of the hose to the compressor.
6. Turn on the air supply and check for air leaks. Rectify any found before proceeding. PTFE tape may be useful for sealing threaded connections.
7. Your air tool is now ready for use.

You can fit a whip hose with a quick fit coupling if required (available from your Clarke dealer.)

FITTING THE SANDING SHEET

- The CAT49 sander requires a minimum of **70mm x 420mm** abrasive sheet. Fold the sheet around the end of the bed and grip it in position with the spring clip at each end. Take care that it is positioned centrally.



OPERATING

1. To begin work, rest the disc pad on the workpiece and start the sander.
 - Let the tool do the work. The actual weight of the machine is normally sufficient for efficient sanding. Do not put additional pressure on the machine, which would only slow down the speed of the pad, reducing efficiency and placing an additional burden on the motor.
2. Pass the sander back and forth in wide, overlapping areas, taking care to keep the sander moving around at all times. Avoid dwelling in one place for more than a moment.
3. Release the trigger to stop the tool.
4. Always ensure the tool has stopped before putting it down.

DISCONNECTING THE AIR SUPPLY

1. Do not disconnect the air supply hose until the compressor has been shut down and the compressed air released.
2. Refer to the compressor instruction manual for the procedure to shut down and vent the compressed air.
3. Once the pressure has been released, disconnect the air supply hose from the air tool.

MAINTENANCE



WARNING: MAKE SURE THAT THE AIR TOOL IS DISCONNECTED FROM THE AIR SUPPLY BEFORE STARTING ANY CLEANING OR MAINTENANCE PROCEDURES.

DAILY

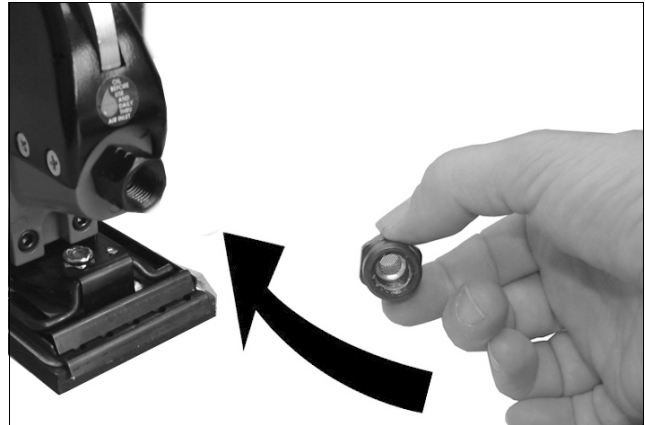
1. Before use, drain water from the airline filter and compressor.
2. Pour a few drops of Clarke air-line oil, into the tool air inlet. This should be carried out regardless of whether or not an in-line mini oiler is used. If an in-line mini oiler is not used, this procedure should be repeated after every two to three hours of use.

WEEKLY

1. Check the air inlet screen filter for blockage and clean if necessary.

CLEANING

1. Keep the body of the tool clean and free from debris.
2. Grit or gum deposits in the tool may also reduce efficiency. This condition can be corrected by cleaning the air strainer and flushing out the tool with gum solvent or oil, or failing this, the tool should be disassembled, thoroughly cleaned, dried and reassembled. This is better left to your Clarke dealer.
3. After extensive use, remove the inlet screen filter and flush out the mechanism with gum solvent or oil or an equal mixture of Clarke air-line oil and paraffin. Allow to dry before use.
4. If the tool runs erratically or becomes inefficient, and the air supply is of good quality, it may be necessary to dismantle the air motor and replace worn or damaged parts. You may prefer to take the tool to your Clarke dealer if internal maintenance is required.



PERFORMANCE

Please note that factors other than the tool may effect its operation and efficiency such as reduced compressor output, excessive drain on the airline, moisture or restrictions in the air-line, or the use of connectors of improper size or poor condition which will reduce air supply.

**Clarke Air Line Oil (part no. 3050825) is available from your Clarke dealer.

Your Clarke air tool has been designed to give long and trouble free service. If, however, having followed the instructions in this booklet carefully, you encounter problems, take the unit to your local Clarke dealer.

STORAGE

When not in use, disconnect from air supply, clean & store in a safe, dry place. If the tool is to be stored, or is idle for longer than 24 hours, run a few drops of Clarke air line oil into the air inlet, and run the tool for 5 seconds in order to lubricate the internal parts.

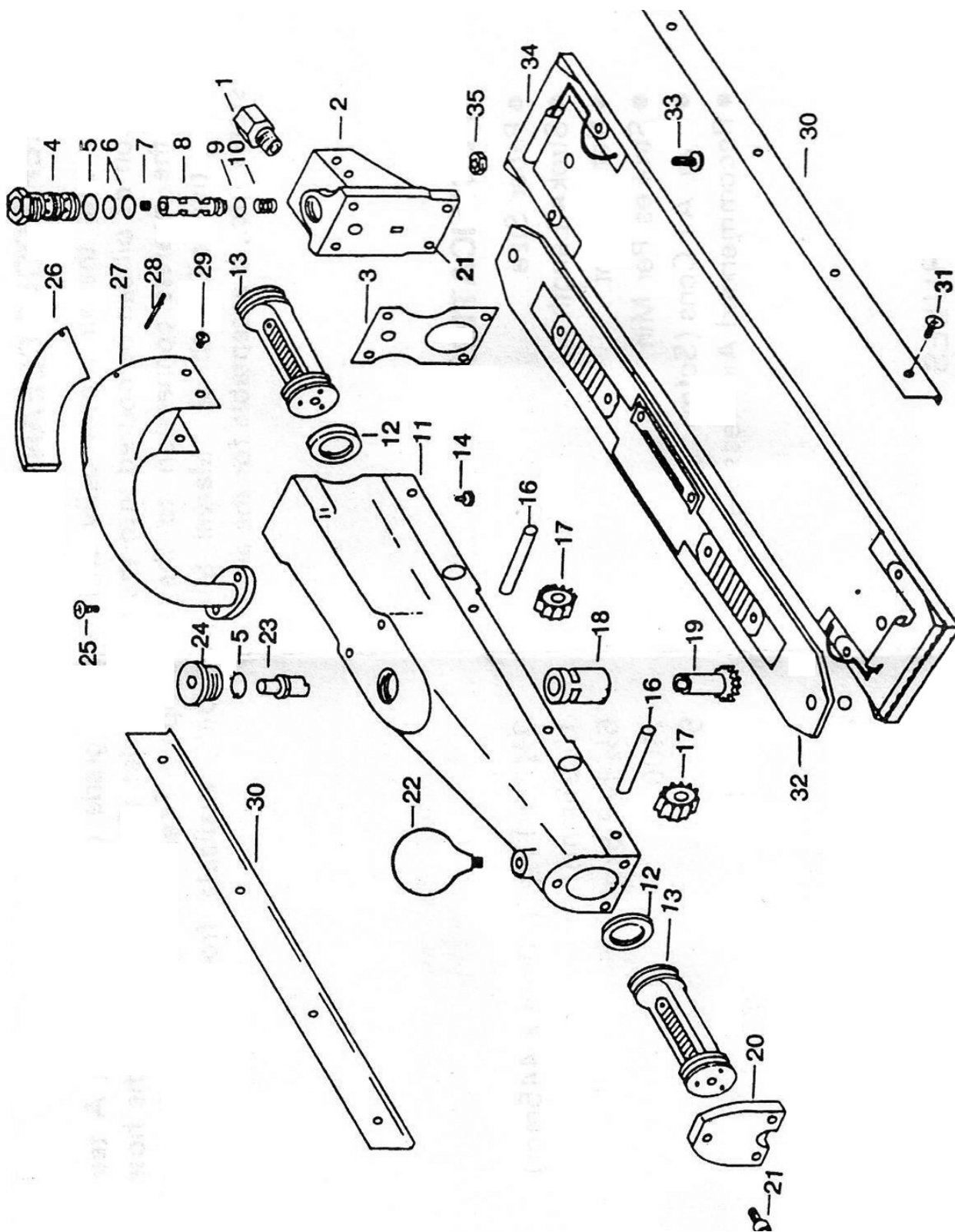
ACCESSORIES

A wide range of accessories is available including filter/regulators, lubricators, high-pressure hoses (5 to 50 metres) etc. Contact your Clarke dealer for further information.

TROUBLESHOOTING

SYMPTOM	PROBLEM	SOLUTION
Tool runs at normal speed but slows down under any load.	<ol style="list-style-type: none"> 1. Motor parts worn. 2. Worn or sticking mechanism due to lack of lubricant. 	<ol style="list-style-type: none"> 1. Return to Clarke dealer for repair. 2. Drip air tool lubricating oil into air inlet. Allow oil to soak moving parts before using.
Tool runs slowly. Air flows weakly from exhaust.	<ol style="list-style-type: none"> 1. Motor parts jammed with gum/dirt. 2. Air-line regulator in closed position. 3. General airflow blocked by dirt. 	<ol style="list-style-type: none"> 1. Examine inlet air filter for blockage. Drip a few drops of air tool lubricating oil into air inlet. 2. Adjust in-line regulator to open position. 3. Operate tool in short bursts.
Tool will not run. Air flows freely from exhaust.	<ol style="list-style-type: none"> 1. Motor vanes stuck due to buildup of foreign material. 	<ol style="list-style-type: none"> 1. Disconnect air supply and rotate tool assembly manually. 2. Try operating tool in short bursts. 3. Tap motor housing gently with a rubber mallet. 4. Drip a few drops of air tool lubricating oil into air inlet to soak moving parts.
Tool will not shut off.	<ol style="list-style-type: none"> 1. Throttle O-rings damaged or ill-fitting in seat. 	<ol style="list-style-type: none"> 1. Return to Clarke dealer for repair.

PARTS DIAGRAM



PARTS LIST

No	Part No	Description
1	561601	Hose Adaptor
2	561602	Rear Head
3	561603	Packing
4	561604	Valve
5	561605	O-Ring
6	561606	O-Ring
7	561607	Socket Screw
8	561608	Switch Control Valve
9	561609	O-Ring
10	561610	Spring
11	561611	Body Assembly
12	561612	Piston Ring
13	561613	Piston
14	561614	Wear Button
15	N/a	N/A
16	561616-1	Shaft (9.5mm)
17	561617	Gear
18	561618	Actuator Valve

No	Part No	Description
19	561619	Actuator Gear
20	561620	Front Head
21	561621	Socket cap Screw
22	561622	Knob Assembly
23	561623	Adj. Shaft
24	561624	Plunger
25	561625	Cross head Screw
26	561626	Trigger
27	561627	Handle
28	561628	Roll Pin
29	561629	Flat Head Screw
30	561630	SideStrip
31	561631	Cross head Screw
32	561632	Carrier Assembly
33	561633	Cross head Screw
34	561634	Pad Assembly
35	561635	Hex Nut

SPECIFICATION

Model Number	CAT49
Part Number	3110535
Min. Hose Size (ID)	3/8" BSP
Max Operating Pressure	90 psi (6.2 bar)
Air Consumption	average 8 cfm
Max No Load Speed	2,100 strokes/min @ 90psi
Air Inlet Size	1/4" BSP
Sound Pressure Level (LpA dB)	91 dB(A)
Sound Power Level (LwA dB)	104 dB(A)
Uncertainty Factor	3 dB
Vibration Levels	8.4 m/s ² (uncertainty factor K= 1.5 m/s ²)
Weight	2.8 kg
Sanding Pad Size	70 x 445 mm

Please note that the details and specifications contained herein are correct at the time of going to print. However Clarke International reserve the right to change specifications at any time without prior notice

DECLARATION OF CONFORMITY - UKCA

**UK
CA**

Clarke[®]
INTERNATIONAL

Hemnall Street, Epping, Essex CM16 4LG

DECLARATION OF CONFORMITY

This is an important document and should be retained.

We hereby declare that this product(s) complies with the following statutory requirement(s):

Supply of Machinery (Safety) Regulations 2008

The following standards have been applied to the product(s):

EN ISO 15744:2008

The technical documentation required to demonstrate that the product(s) meet(s) the requirement(s) of the aforementioned legislation has been compiled and is available for inspection by the relevant enforcement authorities.

The UKCA mark was first applied in: 2022

Product Description: Long Bed Air Sander
Model number(s): CAT49
Serial / batch Number: N/A
Date of Issue: 30/11/2022

Signed:



J.A. Clarke
Director

DECLARATION OF CONFORMITY - CE



Clarke[®]
INTERNATIONAL

Fitzwilliam Hall, Fitzwilliam Place, Dublin 2

DECLARATION OF CONFORMITY

This is an important document and should be retained.

We hereby declare that this product(s) complies with the following directive(s):

2006/42/EC Machinery Directive

The following standards have been applied to the product(s):

EN ISO 15744:2008

The technical documentation required to demonstrate that the product(s) meet(s) the requirement(s) of the aforementioned directive(s) has been compiled and is available for inspection by the relevant enforcement authorities.

The CE mark was first applied in: 2002

Product Description: Long Bed Air Sander
Model number(s): CAT49
Serial / batch Number: N/A
Date of Issue: 30/11/2022

Signed:

J.A. Clarke
Director

NOTES

A SELECTION FROM THE VAST RANGE OF

Clarke®

QUALITY PRODUCTS



AIR COMPRESSORS
From DIY to industrial, Plus air tools, spray guns and accessories.

GENERATORS
Prime duty or emergency standby for business, home and leisure.

POWER WASHERS
Hot and cold, electric and engine driven - we have what you need

WELDERS
Mig, Arc, Tig and Spot. From DIY to auto/industrial.

METALWORKING
Drills, grinders and saws for DIY and professional use.

WOODWORKING
Saws, sanders, lathes, mortisers and dust extraction.

HYDRAULICS
Cranes, body repair kits, transmission jacks for all types of workshop use.

WATER PUMPS
Submersible, electric and engine driven for DIY, agriculture and industry.

POWERTOOLS
Angle grinders, cordless drill sets, saws and sanders.

STARTERS/CHARGERS
All sizes for car and commercial use.



PARTS & SERVICE: 0208 988 7400

Parts Enquiries
Parts@clarkeinternational.com

Servicing & Technical Enquiries
Service@clarkeinternational.com

SALES: UK 01992 565333 or Export 00 44 (0)1992 565335

Clarke INTERNATIONAL Hemnall Street, Epping, Essex CM16 4LG
www.clarkeinternational.com